

LED Inground Lamp



HIGH QUALITY LED LIGHT SOURCE

- Energy Efficient
- High Brightness
- Long Life Span

IP67 RATING

- Protection Against Water Immersion
- Completely Protected Against Dust

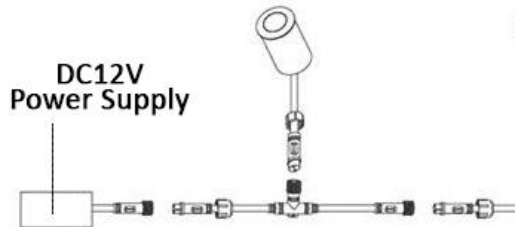
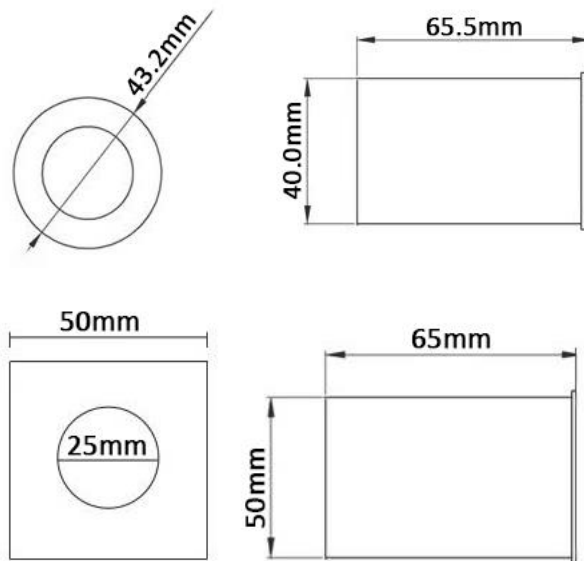
STAINLESS STEEL FACE

- Anti-Corrosion
- Anti-Aging Finish

APPLICATIONS

- In Concrete
- Drive Ways
- Stairs

DIMENSIONS



SPECIFICATIONS

ROUND INGROUND								
Model	Color	LED Type	CCT (K)	Max Current (Amps)	Voltage	Luminous Flux (lm)	Dimensions (DxWxH mm)	Beam Angle
INGROUND-W	White	2 Watt	5000-7000	1.2	12VDC	140	43.2x65.5	45/60/90°
INGROUND-WW	Warm White		2700-3500			155		
INGROUND-NW	Natural White		4000-5000			160		
SQUARE INGROUND								
Model	Color	LED Type	CCT (K)	Max Current (Amps)	Voltage	Luminous Flux (lm)	Dimensions (DxWxH mm)	Beam Angle
INGROUND-W	White	2 Watt	5000-7000	1.2	12VDC	140	50x50x65	45/60/90°
INGROUND-WW	Warm White		2700-3500			155		
INGROUND-NW	Natural White		4000-5000			160		