

D212-811 Digital LED Strip (60LEDs/m)

Exciting New Colour Changing LED Striplite

From a free download app to your iPad, Tablet or Smartphone featuring specific programming of individual colours. You can add and save to your file in your device. Sports team colours, festive, corporate, seasonal, Christmas and add a multitude of moving functions that scan from one end of the strip to the other, Also features 180 pre-programmed scenes!

The only limit is your imagination!

Product Description

This digital led strip has 60pcs 5050 RGB LED Chips per meter 20Pixels (3 LEDs) per meter, with SPI control, each section can be cut every 50mm, white PCB board are available 1+1 Ounce copper FPC, 5m per reel and 3M tape is included.

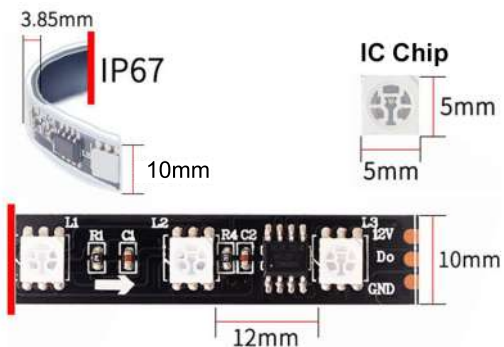
IP rating of IP65(outdoor) & IP20(indoor).

Product Datasheet

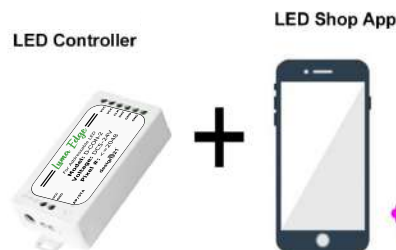
Product Number	D212-811
Light Source	SMD 5050
Beam Angle	120°
LED Quantity	60 LEDs/m
Emitting Color	Full color
PCB Color	White/Black
Protocol	SPI - 20pcs D212-811
Operating Voltage	DC12V
Power(W)	12 W/m
Size(mm)	L 5000mm * W 10mm
IP	IP65 or IP20
Net Weight	0.24kg/roll
Operation Temperature	- 40 to 50 °C



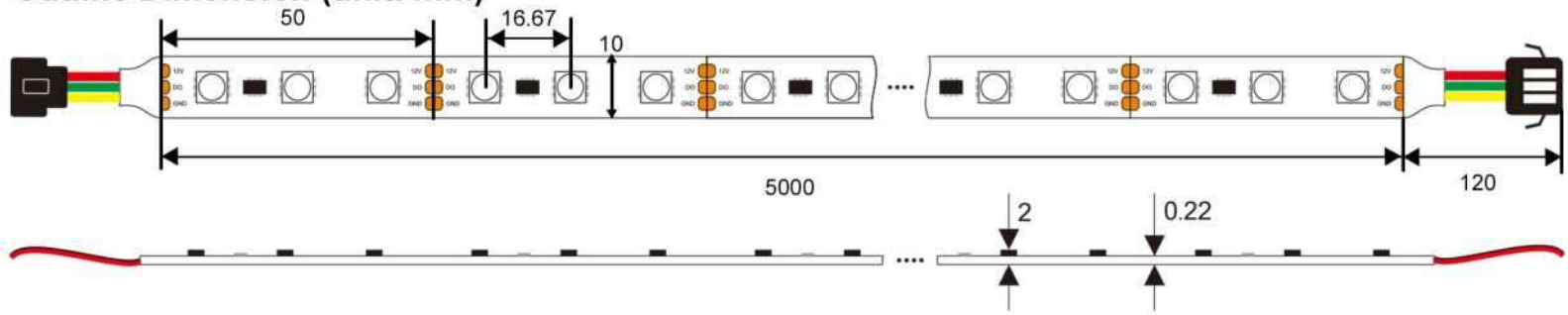
IC Computer Chip



Phone App & Controller



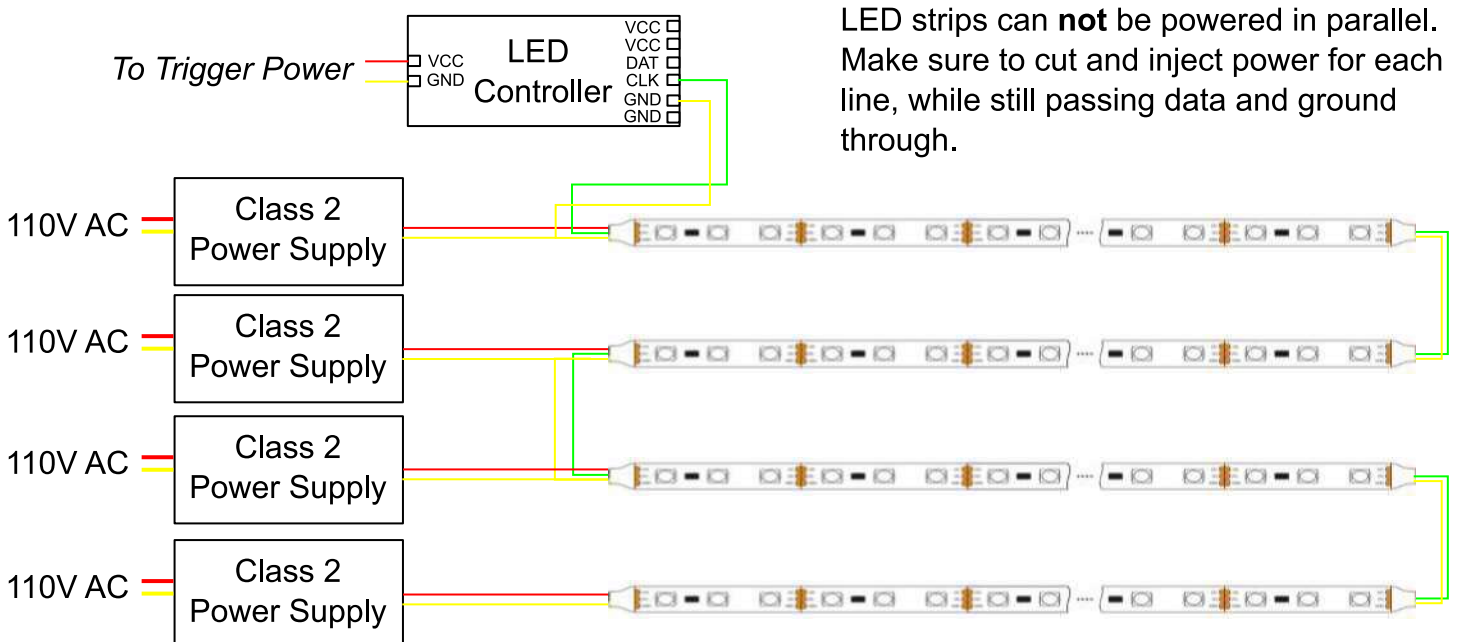
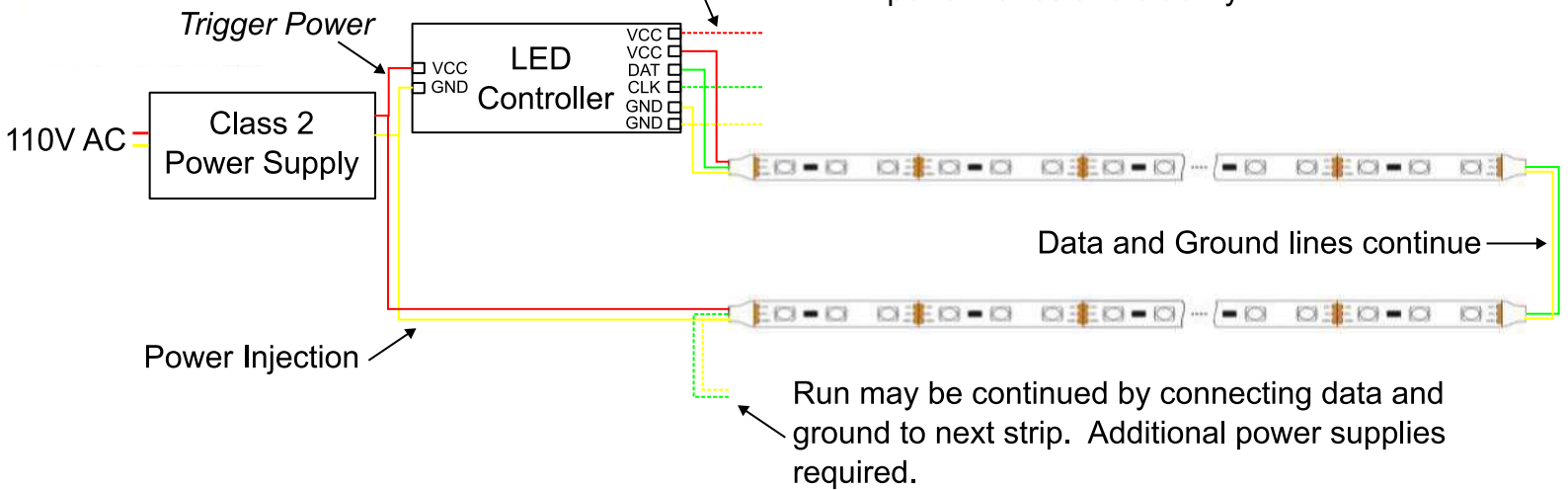
Outline Dimension (unit: mm)



Connection

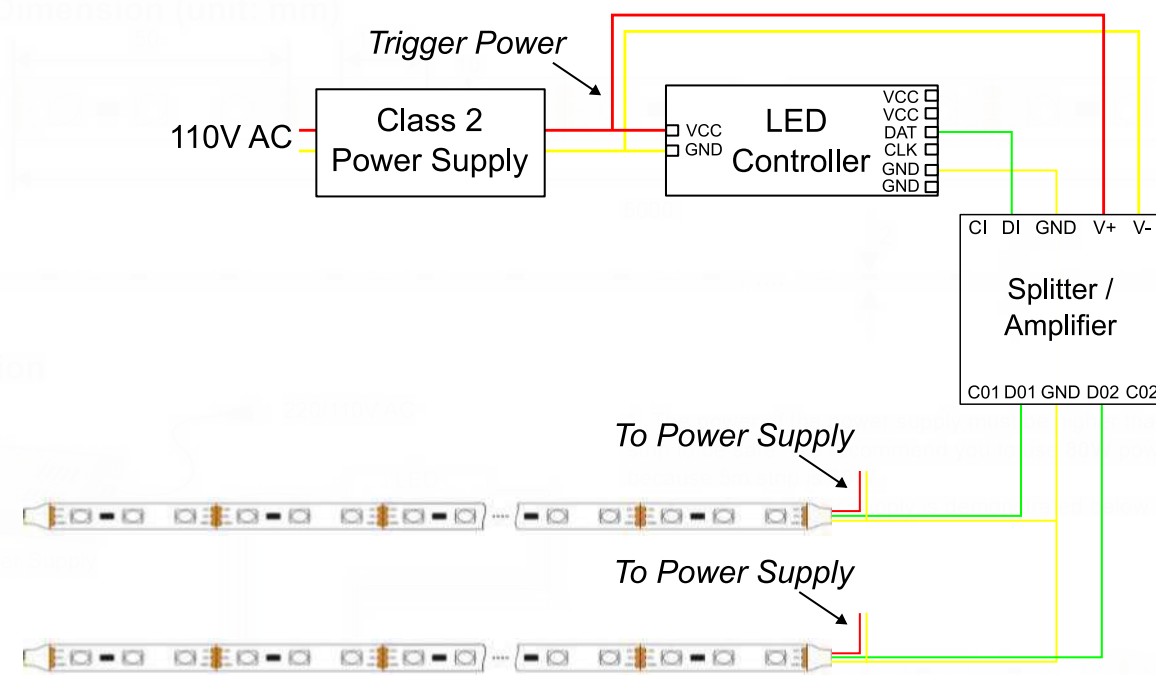
CLK output can be used in conjunction with secondary VCC and GND outputs to run secondary line directly from controller.

Each 5m strip is 60w. We recommend injecting power after every strip to ensure maximum performance and stability.



LED strips can **not** be powered in parallel. Make sure to cut and inject power for each line, while still passing data and ground through.

Splitter Example



Multi Splitter Example

