

150W LED Parking Lot Light, 150 watt 18000 lumen, ETL/cETL & DLC

Model # D150-5K-PKL

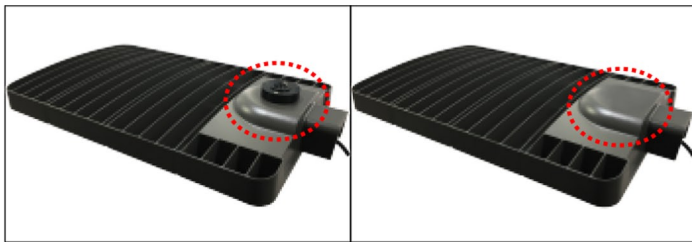
D150-5K-PKL Specifications

Description	150W LED Parking Lot Light (as known as shoebox light, area light, pole mount light)
Power	150W
Voltage Input	100-277V ac
Lumen output	18000lm
Color Temperature	3000K, 5000K
CRI	Ra>70
Power Factor	>0.95
Lens	PC
Operating Temp.	-40°C ~ 40°C (-104°F ~ 104°F)
LED Chips	Philips
IP Rating	IP66
Certificates	ETL/cETL, DLC
warranty	5 years
L70 life span	>50000Hrs
Housing Material	Aluminum
Max. Input current	0.95Amp@100Vac
Dimmable	No
Weight	7.1Kg (15.7pound)



LM79
LM80

Photocell Options



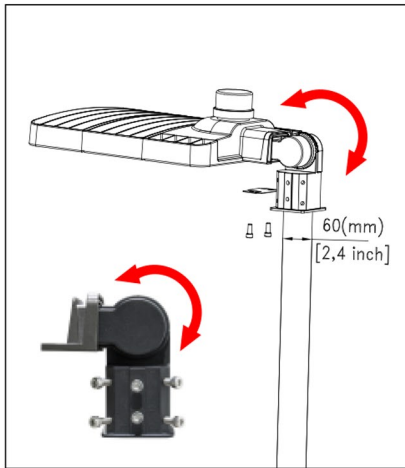
With Photocell Socket Without Photocell Socket

Mounting Brackets

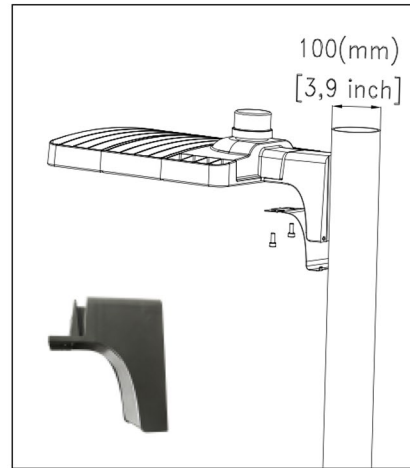
Type A: Slip Fitter	
Type B: Square/Round Pole Mount	
Type C: Trunnion	
Type F: Wall Mount	

Installation Options

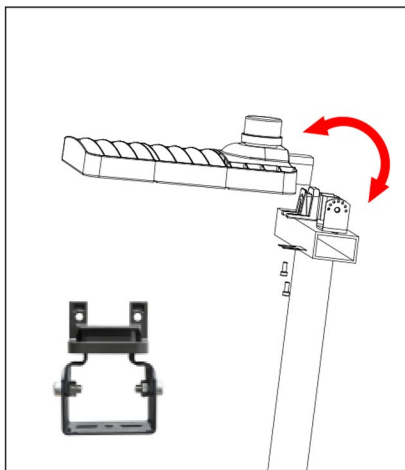
A: Slip Fitter



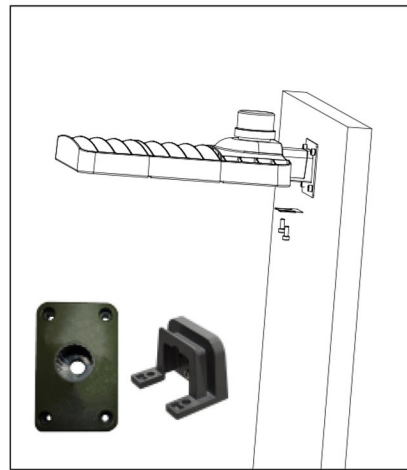
B: Pole Mount



C: Trunnion



F: Wall Mount



Installation Steps for Pole Mount

- ①. Install mount bracket on to pole
- ②. Set fixture on to mount bracket
- ③. Wire and tighten screws

