

LED UFO Light



FEATURES

- High Efficiency High Bay Light
- OSRAM/PHILIPS LED Chips: 140 lm/w
- 60°, 90°, 120° Beam Angle Options
- Superior heat management with Thermal Fins
- 5 Year Warranty

APPLICATIONS

- Warehouse
- Furniture store
- Large Workshop
- Garage
- General task areas

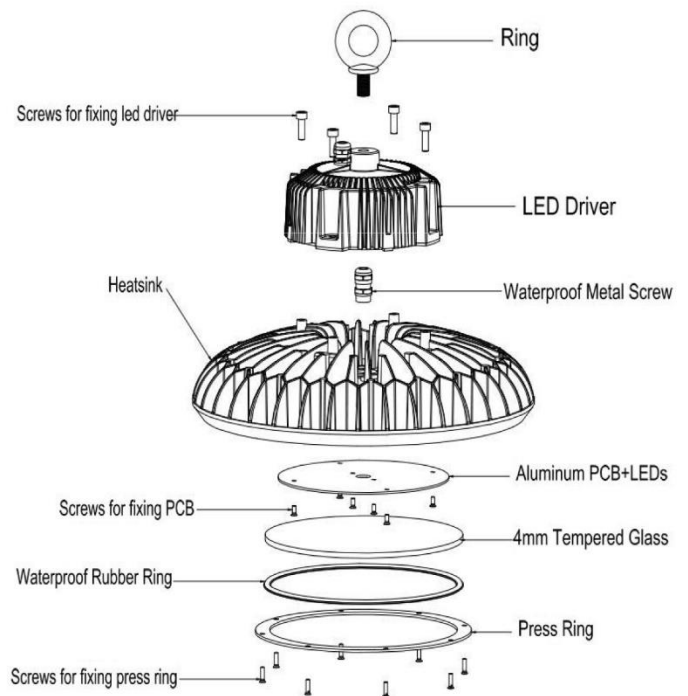
SPECIFICATIONS

Input Voltage	100-277V AC		
Power Efficiency	> 0.95		
CCT	4000K , 5000K, 6000K		
Lumen Efficiency	140 lm/w		
Beam Angle Options	60°, 90°, 120°		
LED Type	OSRAM/PHILIPS		
IP Rating	IP65		
CRI	> 85		
Operating Temp.	-30 to 50°C		
Certification	cETLus, DLC, ETL		

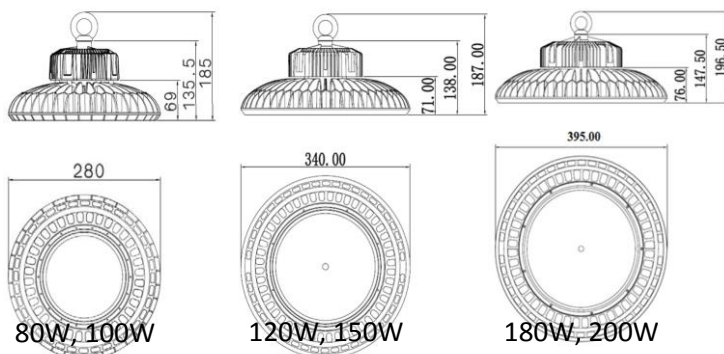
Model/Power	100	150	180	200
Lumens	13500	20300	24500	27000
LED Qty	133	210	315	315



EXPLODED VIEW



DIMENSIONS



MOUNTINGS

