

# LED 120V AC Round Flat Panel Potlight



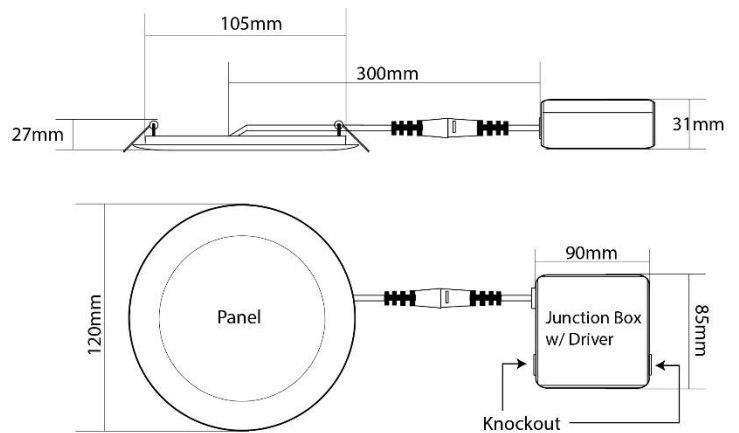
## FEATURES

- Type IC Rated - Approved for direct contact with insulation
- Airtight - Reduce both heat and cooling cost
- Fast & Easy to Install
- Isolated External Driver inside Junction Box
- Available in 6" & 5"
- Dimmable, Damp Location Approved
- cETL Certified & Energy Star Rated

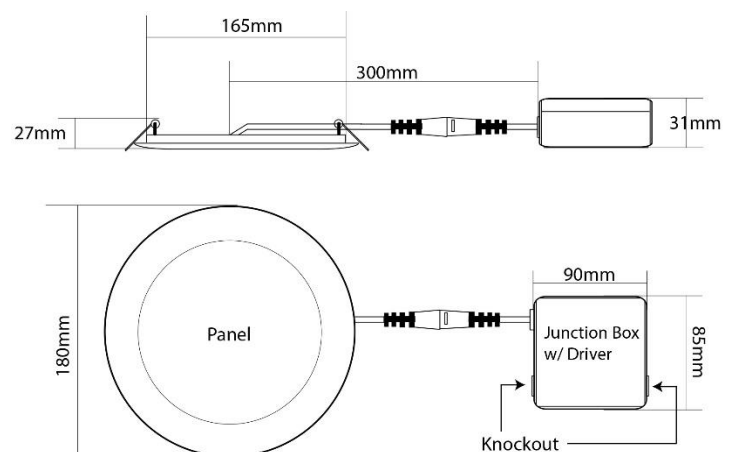
## SPECIFICATIONS

Model	5" - 120 mm	6" - 180 mm
Input Voltage	120V AC - Driver Included	
Input Power	9W	12W
CCT	3000K (Warm White), 4000K (Natural White)	
Lumens (@ 3000K)	550 lm	850 lm
Lumens (@ 4000K)	600 lm	900 lm
Beam Angle	140°	
Diameter (Trim to Trim)	4 3/4" (120 mm)	7" (180 mm)
Hole Size	4 1/8" (105 mm)	6 1/2" (165 mm)
Certification	cETLus, Energy Star	

## 5" PANEL DIMENSIONS



## 6" PANEL DIMENSIONS



## INCLUDED PARTS

1. Junction Box & Driver
2. Light Panel
3. Spring Clips
4. Connector

